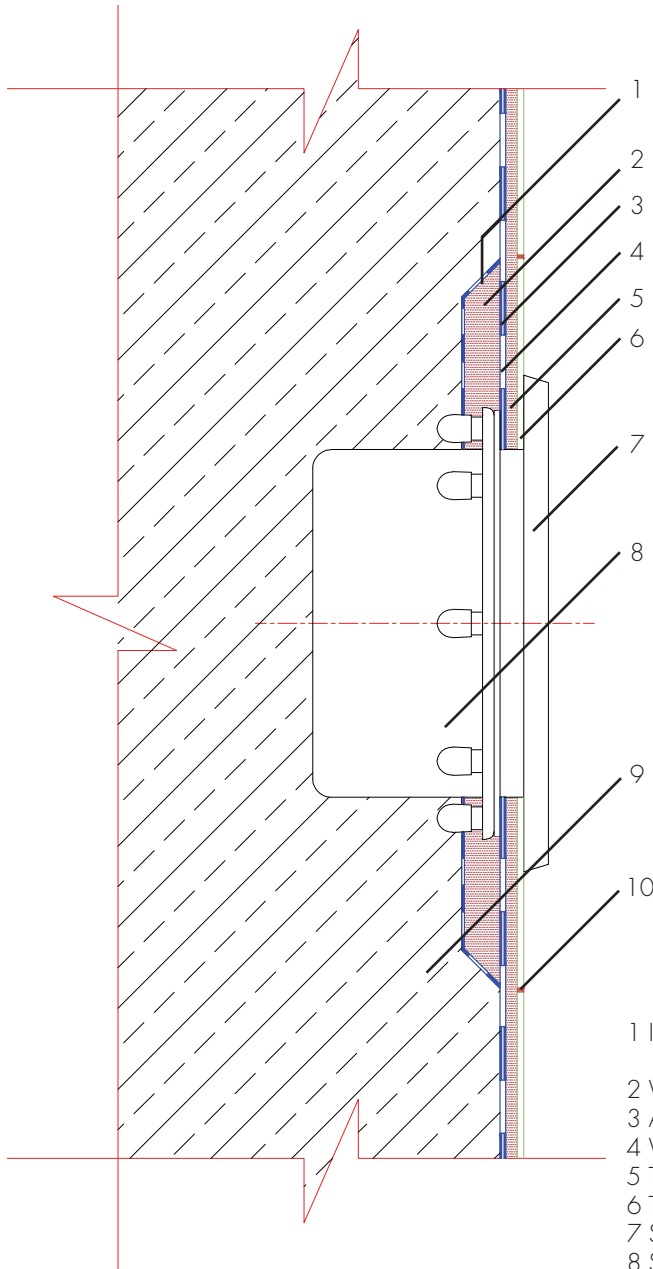


Detail waterproofing of underwater spotlights - with mortar (special solution)



	Pool water acc. to DIN 19643 salt & thermal(warm) water	
1 INDUFLOOR-IB1240 primer with sand broadcast (0.5-1.0 mm)		
2 Waterproofing mortar ASOFLEX-AKB with sand broadcast		
3 ASOJoint-Sleeve		
4 Waterproofing	AQUAFIN-2K/M	ASOFLEX-AKB
5 Thin-bed mortar	UNIFIX-2K/6	ASODUR-EK98
6 Tile		
7 Spotlight		
8 Spotlight casing		
9 Concrete pool		
10 Tile grout	HF05-Brillantfuge	ASODUR-EK98